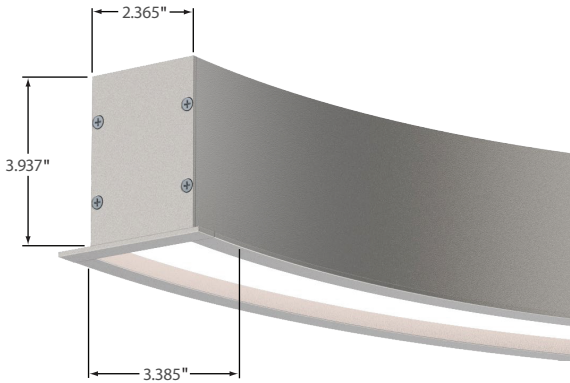


# LASSO RECESSED - S2 (PATTERNS)



PAL Architectural Lighting presents the new LASSO Recessed - S2. The S2 profile allows you the ability to form myriad shapes and patterns - from simple curved corners to the most complex configurations. With your imagination as your guide, the possibilities are limitless.

At only 2.365" in width, the LASSO Recessed - S2 is a sleek, compact form that creates a minimal spatial footprint, while at the same time creating a striking architectural statement.

Type:

Project Name:

Catalog Number:

## SPECIFICATIONS

### Housing

Constructed of extruded aluminum and available in various curve-shape lit fixtures, as well as single straight sections of nominal 2', 3', 4', 5', 6', 7' and 8' long. In combination, custom fixture patterns are available.

Standard flange finish is textured matte white or textured matte black. Custom flange colors are also available.

### Lens/Diffusers

**(FAL)** Frosted acrylic snap-in lens, with magnetic retention location locks.

**(PL)** Heavy-duty polycarbonate snap-in lens, with magnetic retention location locks. Lens is IK08 rated for impacts.

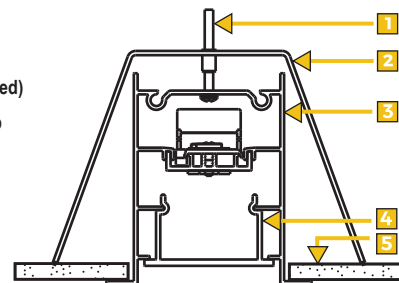
### Gear Tray/LED Module

Removeable gear tray is constructed of solid aluminum, has LED module attached and is designed for quick and simple 'single person' installation or removal.

### Mounting

INSTALLATION INSTRUCTION

- 1 Screw (Provided)
- 2 Recessed Clip
- 3 Luminaire
- 4 Diffuser
- 5 Ceiling



Overlap Flange - Hard Ceiling - Drywall, Metal, Concrete

### Color Temperatures/CRI

LED light sources are available for the following Co-ordinated Color Temperatures (CCT):

**Standard:** 3000K, 3500K, 4000K, & 5000K

**Tunable White:** Variable CCT range from 2700K thru 6500K.

**RGBW:** (Red, Green, Blue, White) color-changing logic module is rated at 90+ CRI and is available in standard High Output and Medium Output.

Contact factory for available custom outputs.

**Color Rendering Index (CRI):** Standard: 90  
Optional: 80

### Warranty

10-year limited warranty. No other warranty is expressed or implied. Complete warranty terms can be accessed by visiting:

<https://pal-lighting.com/company/warranty>

### Certifications

Fixtures are UL listed for use in 'Dry or Damp Applications'. Fixtures are CE listed for the European market. Fixtures also carry an EMC rating (electromagnetic compatibility).

\*Link to Installation Instructions



## ORDERING GUIDE

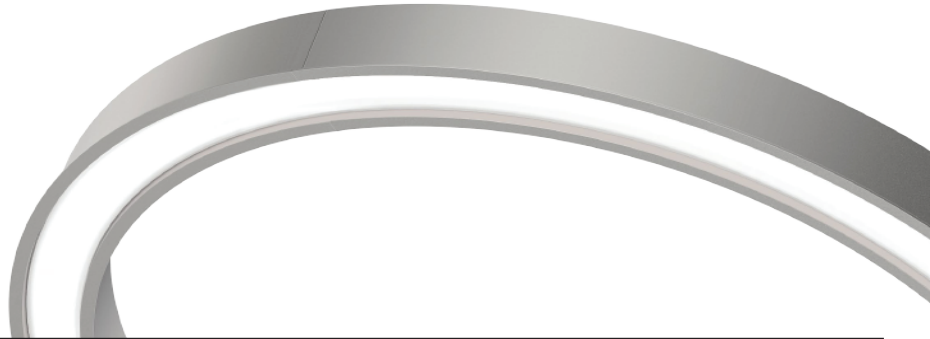
LR2						
Series		Outputs	Color Temp. (CCT)	Color Render	Straight Fixtures	Custom Fixture Pattern
LR2	LASSO Recessed - S2	<b>Standard Outputs:</b> <b>HO</b> High Output 875 Lms/Ft <b>MO</b> Medium Output 475 Lms/Ft <b>Custom Outputs:</b> *CO ____ Custom Output <b>*Maximum to Minimum Outputs Available:</b> <b>Using 90 CRI Driver:</b> 198 Lms/Ft - 1219 Lms/Ft <b>Using 80 CRI Driver:</b> 381 Lms/Ft - 1265 Lms/Ft	<b>Standard:</b> <b>K30</b> 3000 Kelvin <b>K35</b> 3500 Kelvin <b>K40</b> 4000 Kelvin <b>K50</b> 5000 Kelvin <b>Optional:</b> <b>TW</b> 2700K thru 6500K (Tunable White) <b>RGBW</b> Red/Green/Blue/White (Color Changing)	<b>90</b> 90 CRI (Standard) <b>80</b> 80 CRI (Optional)	<b>Nominal Lengths:</b> <b>2'</b> <b>5'</b> <b>3'</b> <b>6'</b> <b>4'</b> <b>7'</b> <b>8'</b>	<b>Describe Pattern:</b> _____ _____ _____ <b>Example:</b> Hexagonal pattern with 3' long sides.

		OF		RCA	
Curve-Shape Fixtures	Standard Connectors	Flange/Ceiling	Flange Color	Mounting	Lenses / Diffusers
<b>48R (48" Radius):</b> <b>48R/90</b> 90 Deg Bend <b>48R/45</b> 45 Deg Bend <b>48R/60</b> 60 Deg Bend <b>48R/30</b> 30 Deg Bend  <b>17R (17" Radius):</b> <b>17R/90</b> 90 Deg Bend <b>17R/45</b> 45 Deg Bend <b>17R/60</b> 60 Deg Bend <b>17R/30</b> 30 Deg Bend	<b>33R (33" Radius):</b> <b>33R/90</b> 90 Deg Bend <b>33R/45</b> 45 Deg Bend <b>33R/60</b> 60 Deg Bend <b>33R/30</b> 30 Deg Bend  <b>Y-Shape Bend Connectors:</b> <b>Y-48R/45</b> 48" Radius w/45 Deg. Bend <b>Y-33R/45</b> 33" Radius w/45 Deg. Bend <b>Y-17R/45</b> 17" Radius w/45 Deg. Bend  <b>V-Shape Bend Connectors:</b> <b>V-48R/45</b> 48" Radius w/45 Deg. Bend <b>V-33R/45</b> 33" Radius w/45 Deg. Bend <b>V-17R/45</b> 17" Radius w/45 Deg. Bend	<b>OF</b> Overlap Flange - Drywall or Metal Ceiling	<b>F01M</b> Textured Matte White (Standard)  <b>F11M</b> Textured Matte Black (Standard)  <b>FCC</b> Custom Color - RAL Color # _____	<b>RCA</b> Recessed Clip Assembly  Mounting Template Included (Standard)	<b>FAL</b> Frosted Acrylic Lens  <b>PL</b> Polycarbonate Lens

UNV					
Voltage	Drivers - Dimming	Drivers - Tun. White / RGBW	Sensor Options	Emergency Options	Control Options
<b>UNV</b> Universal Voltage (120V - 277V)	<b>DIM10</b> Dimming 100% - 10% <b>DIM5</b> Dimming 100% - 5% <b>DIM1</b> Dimming 100% - 1% <b>DIM0</b> Dimming 100% - 0%	<b>TW</b> DALI protocol driver - Tunable White Color Tuning  <b>RGBW</b> DMX protocol driver - RGBW Red/Green/Blue/White Color Color Tuning	<b>OCC</b> Occupancy/Motion Sensor  <b>DS</b> Daylight/Photocell Sensor	<b>EBPH</b> Emergency Battery Pack	<b>0-10V</b> 0-10V protocol <b>DALI</b> DALI protocol (TW) <b>DMX</b> DMX protocol (RGBW) <b>CASAMBI</b> Casambi Protocol Wireless Control System

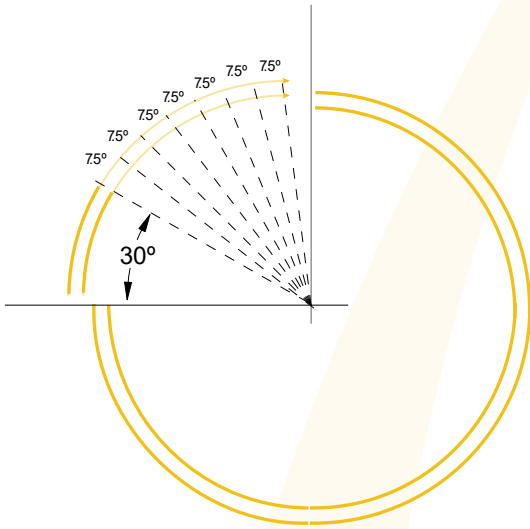
**Notes:**

- All fixtures are factory pre-wired for a single circuit. Provisions for multiple switching/circuiting is optional.
- Straight fixtures and 48R (48" Radius) arc segments contain integral drivers. Arc segments below 48R have remote drivers.
- Standard power supply (driver) is UL recognized, and is available with 0-10V dimming capability as well as 120 thru 277 universal voltage.
- Tunable White power supply (driver) is UL recognized, and is compatible with DALI control protocols.
- RGBW power supply (driver) is UL recognized, and is compatible with DMX control protocols.
- LASSO Recessed - S2 fixtures are IP20 rated - for indoor use only.
- Mounting Template - matching custom fixture pattern shape - included with fixtures

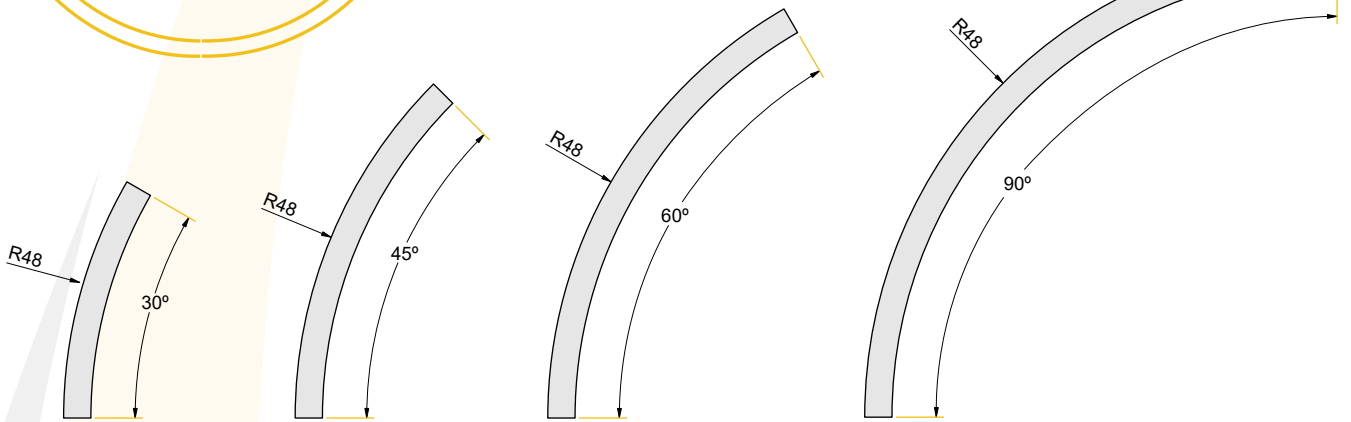


# LASSO RECESSED - S2

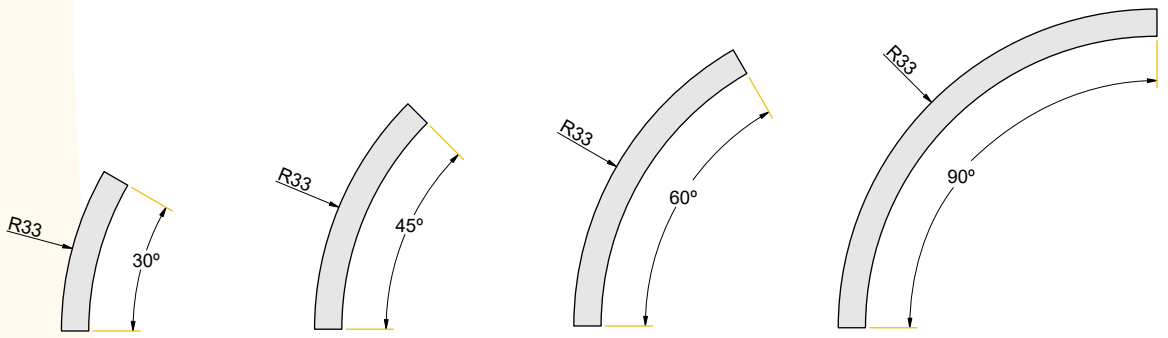
## Standard Bend Options



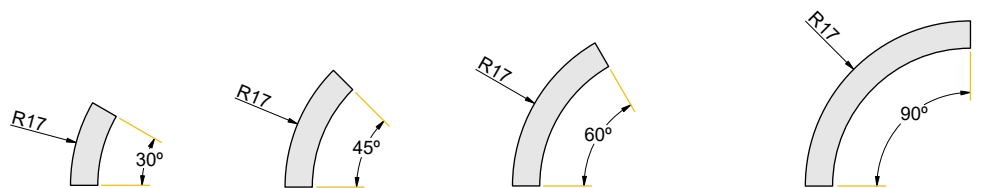
Minimum 30° segment, then each segment can be increased in 7.5° increments. Arc segments below 48R have remote drivers.



48R (48" Radius)



33R (33" Radius)

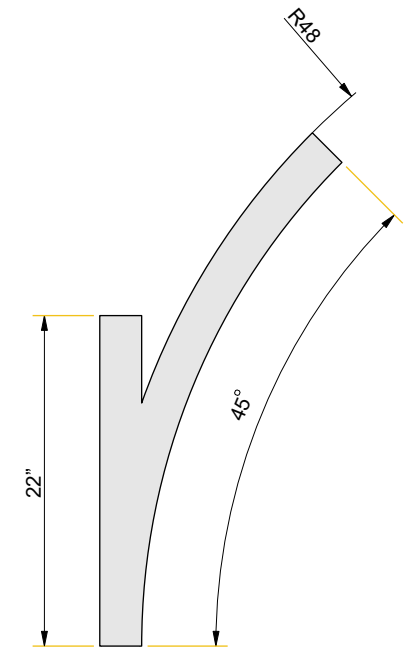
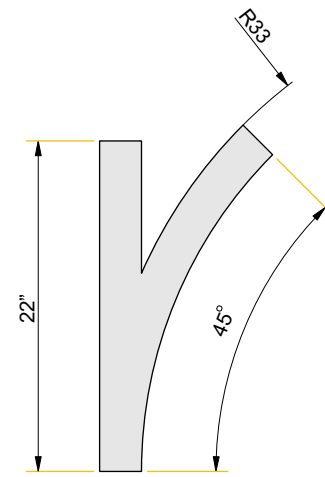
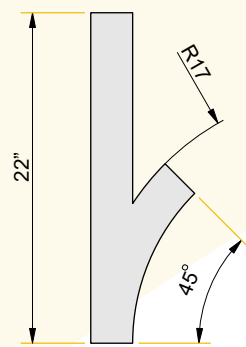


17R (17" Radius)

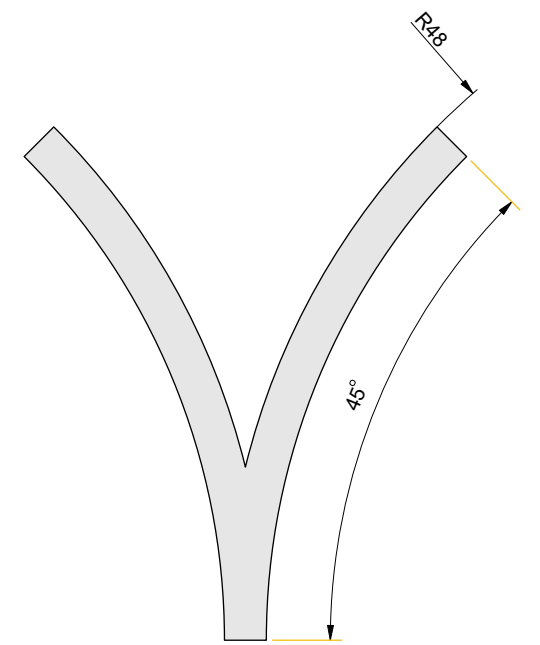
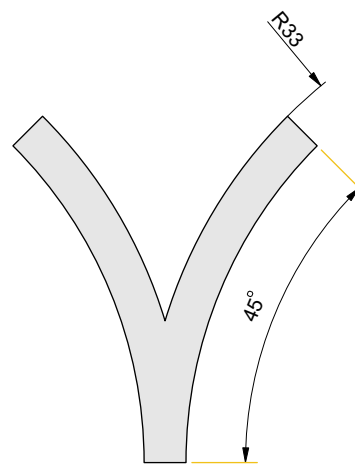
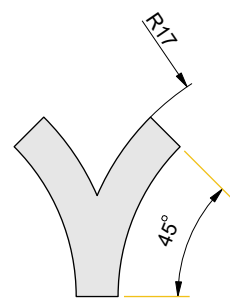
\*Other custom radii available on request

All radii bends can have integral drivers provided they ajoin a straight section or are ≥ 48R

**LASSO RECESSED - S2**  
**Standard Connections**



**Y Bends**



**V Bends**

\*Other options available upon request.

# Data Table



LASSO RECESSED - S2					
LED Engine	4ft Length	Luminous Flux (Standard) (Delivered Lumens)	LO 1900	HO 3500	
	Standard	CRI	90+		
		Lumen Maint / Max-Min Outputs	82,000 Hours ( L80 B10 @ 35° ) / 198 Lms/Ft thru 1219 Lms/Ft		
	Lower CRI	CRI	80+		
Lumen Maint / Max-Min Outputs		114,000 Hours ( L90 B10 @ 50° ) / 381 Lms/Ft thru 1265 Lms/Ft			
Warranty (Drivers)	Standard CRI (90+)		10 Years		
	Lower CRI (80+)		10 Years		
Electrical	Power Consumption		Between 6 and 14 W/Ft		
	Voltage input range		120 – 277V (UNV)		
	Controls		0-10 volts / Dali Control Gear / DMX / Dimmer switch / Constant light output / Motion sensor / Ripple free / Bluetooth mesh / Casambi control wireless system		
	Total harmonic distortion THD		9.8% max		
	Approvals / Certifications		UL / CE		
Physical	Dimensions		2.365" Wide (3.385" with flange included) X 3.937" High		
	Weight per Foot		2.22 lbs - average weight		
	Housing		Aluminium extrusion / powder-coated finish only		
	Diffuser		Frosted acrylic lens / Polycarbonate lens		
	Accessories		Various connection shapes available		
	Connections		Speed Connect Joining System with Polarized electrical connection between sections		
	Compatible ceiling type		Suitable for gyprock (drywall) ceilings, metal pan, concrete, timber and T-bar grid ceilings		
	Mounting		Gyprock clips as standard		
	Bend Radii - (Inches)		17R / 33R / 48R as standard with custom radii available		
	Miter Bend Options		Lit corner 90° / Cross 90° / Tee 90° / Straight 180° (No unlit)		
	Endplate Options		Flat or optional curved end plates		
	Operating temperatures		Standard (90+ CRI) = - 25° C to 35° C (-13° F to 95° F) Lower CRI (80+ CRI) = -25° C to 50° C (-13° F to 140°F)		
	Environment		Dry Indoor Application only		
	Minimum length adjustment		Standard (90+) = 0.984"    Lower CRI (80+) = 0.0394"		
	LED Board types		90+ CRI: Boards in 1.97" / 11.02" / 22.04" lengths. (Zhaga compatible) 80+ CRI: Boards in 0.98" / 3.94" / 22.04" lengths. (Zhaga compatible)		
	Configurations		Direct (down) only		

# Technology / Features

## Leak free light system

There are no light leaks in the usual places like end plates, diffuser expansion gaps and at joints where two or more pieces are connected together.

A 7.50 ° arc = the industry's smallest arc adjustment.

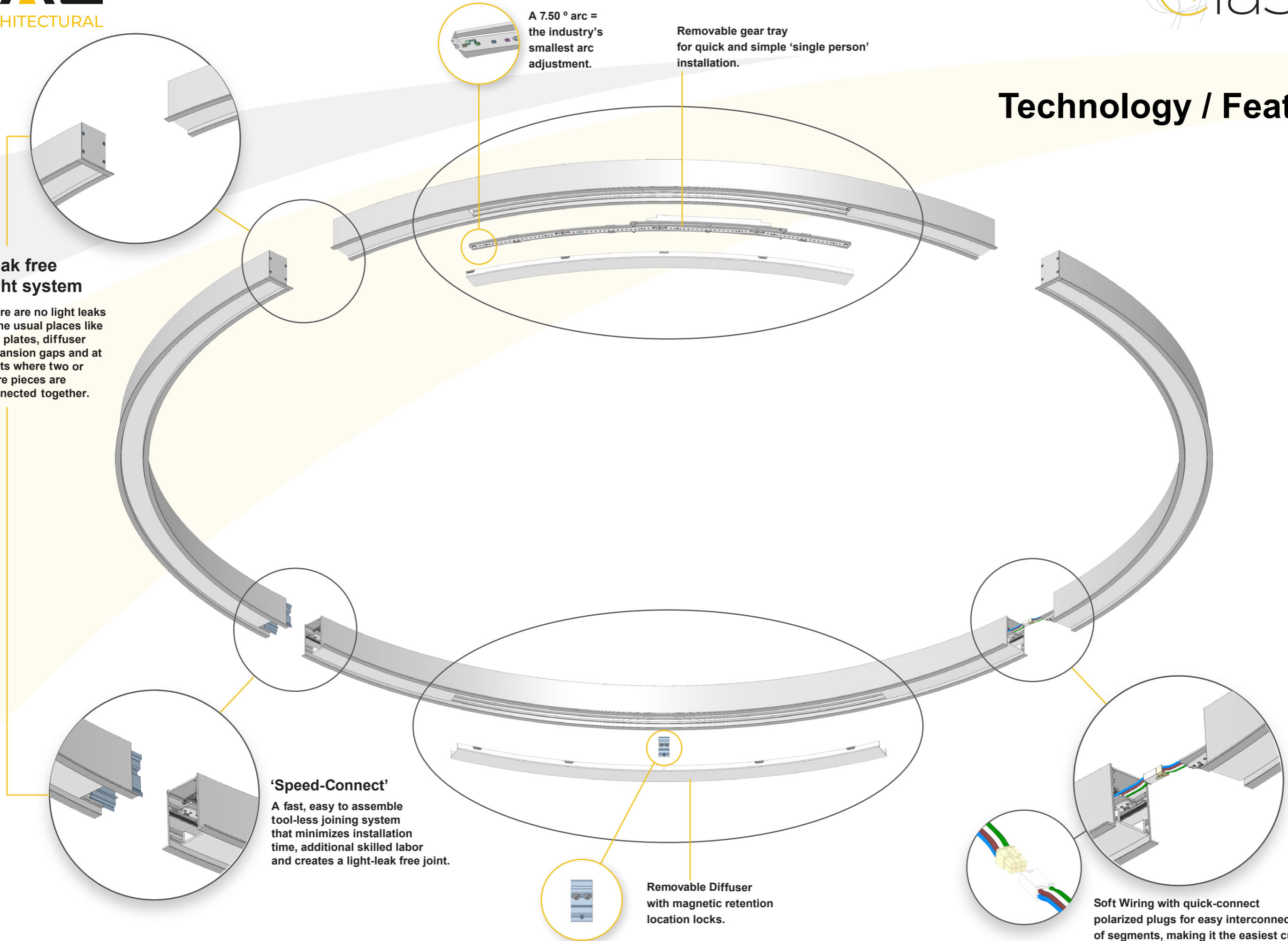
Removable gear tray for quick and simple 'single person' installation.

## 'Speed-Connect'

A fast, easy to assemble tool-less joining system that minimizes installation time, additional skilled labor and creates a light-leak free joint.

Removable Diffuser with magnetic retention location locks.

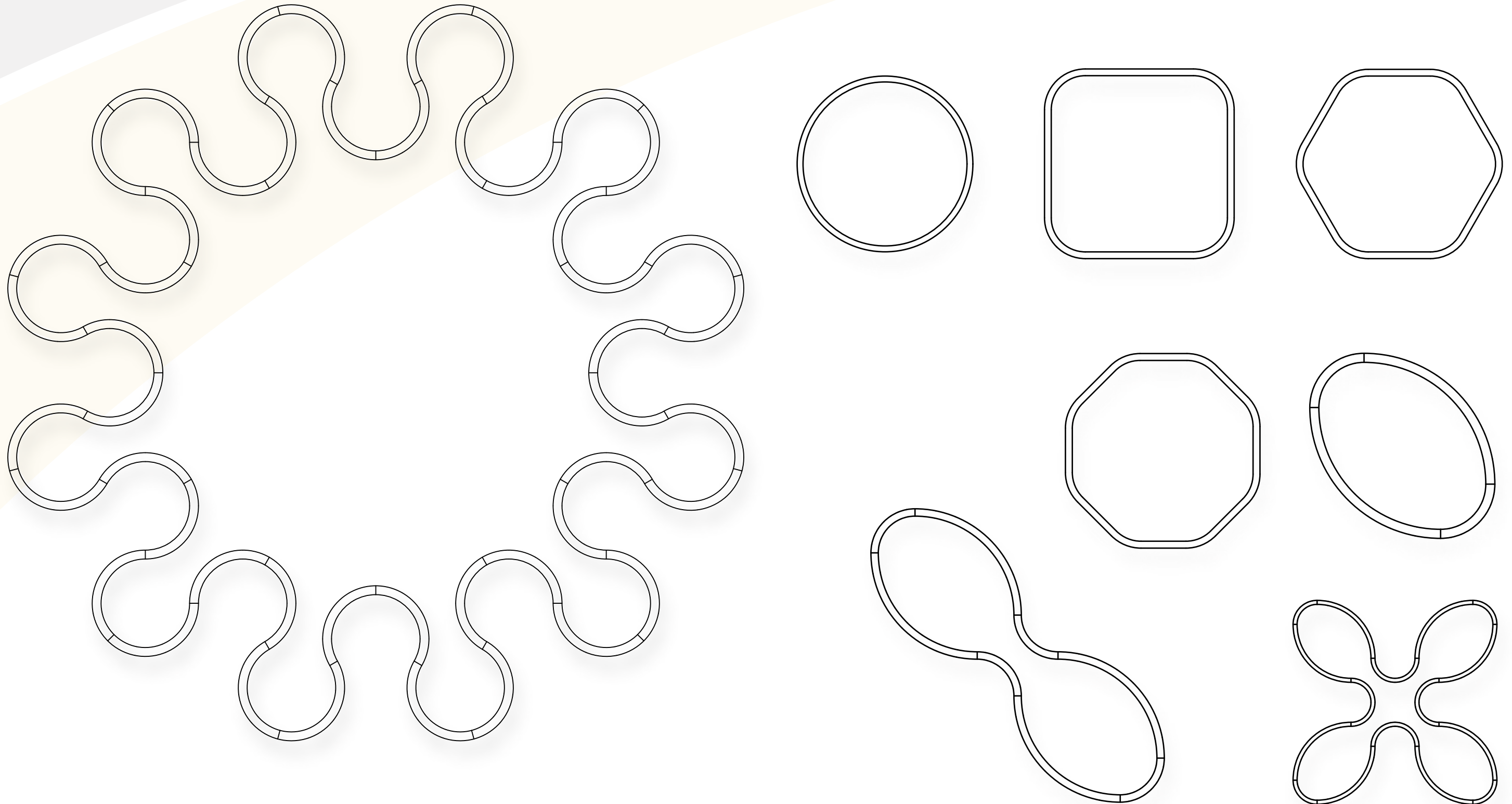
Soft Wiring with quick-connect polarized plugs for easy interconnection of segments, making it the easiest curved profile on the market to install.



## LASSO RECESSED - S2

### Some examples of Shapes and Sizes

The LASSO series has the ability to form myriad shapes and sizes, from simple curved corners to the most complex configurations.



**NOTE: All of the examples shown above have been designed using standard radii fixtures.**